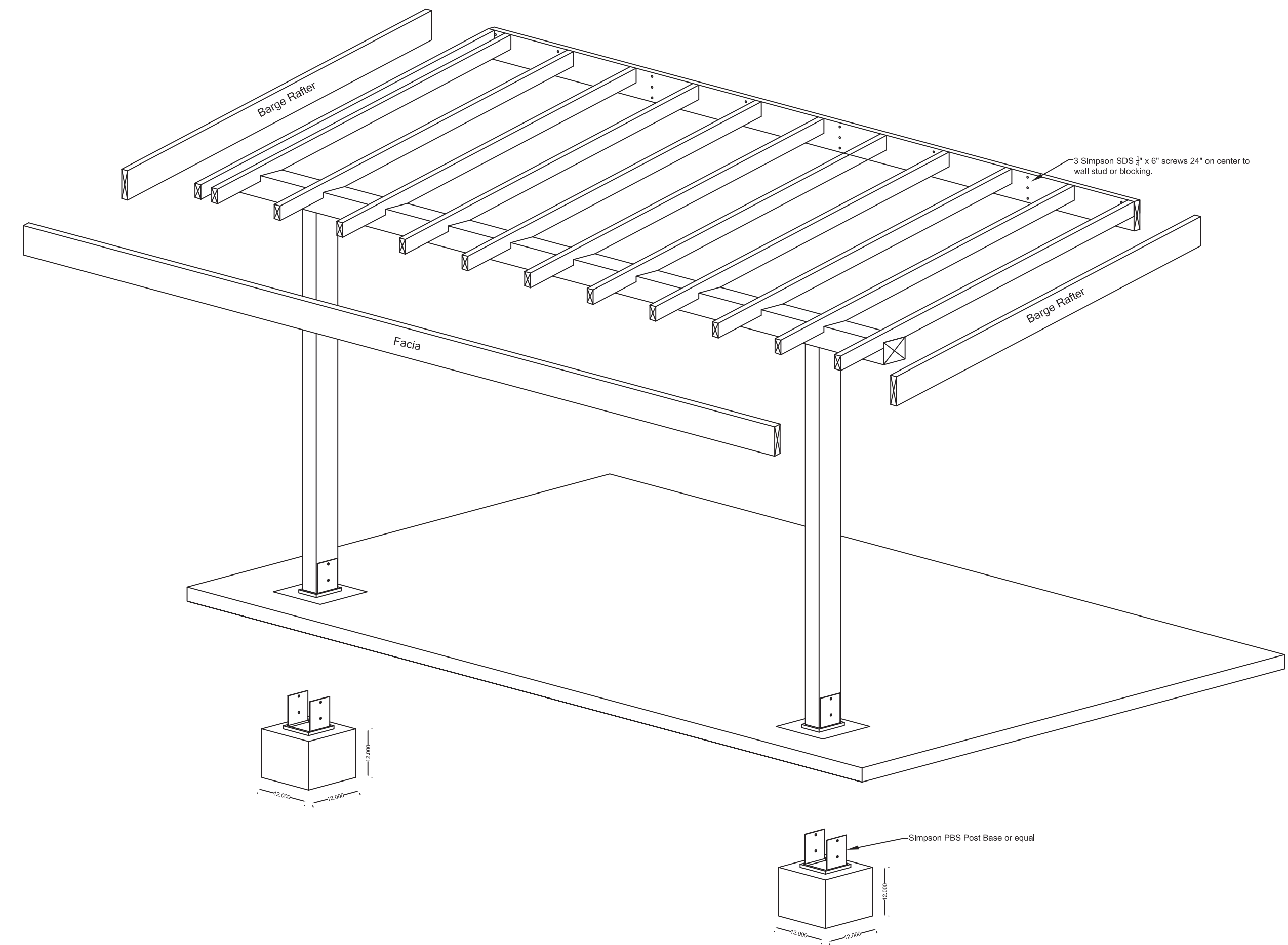
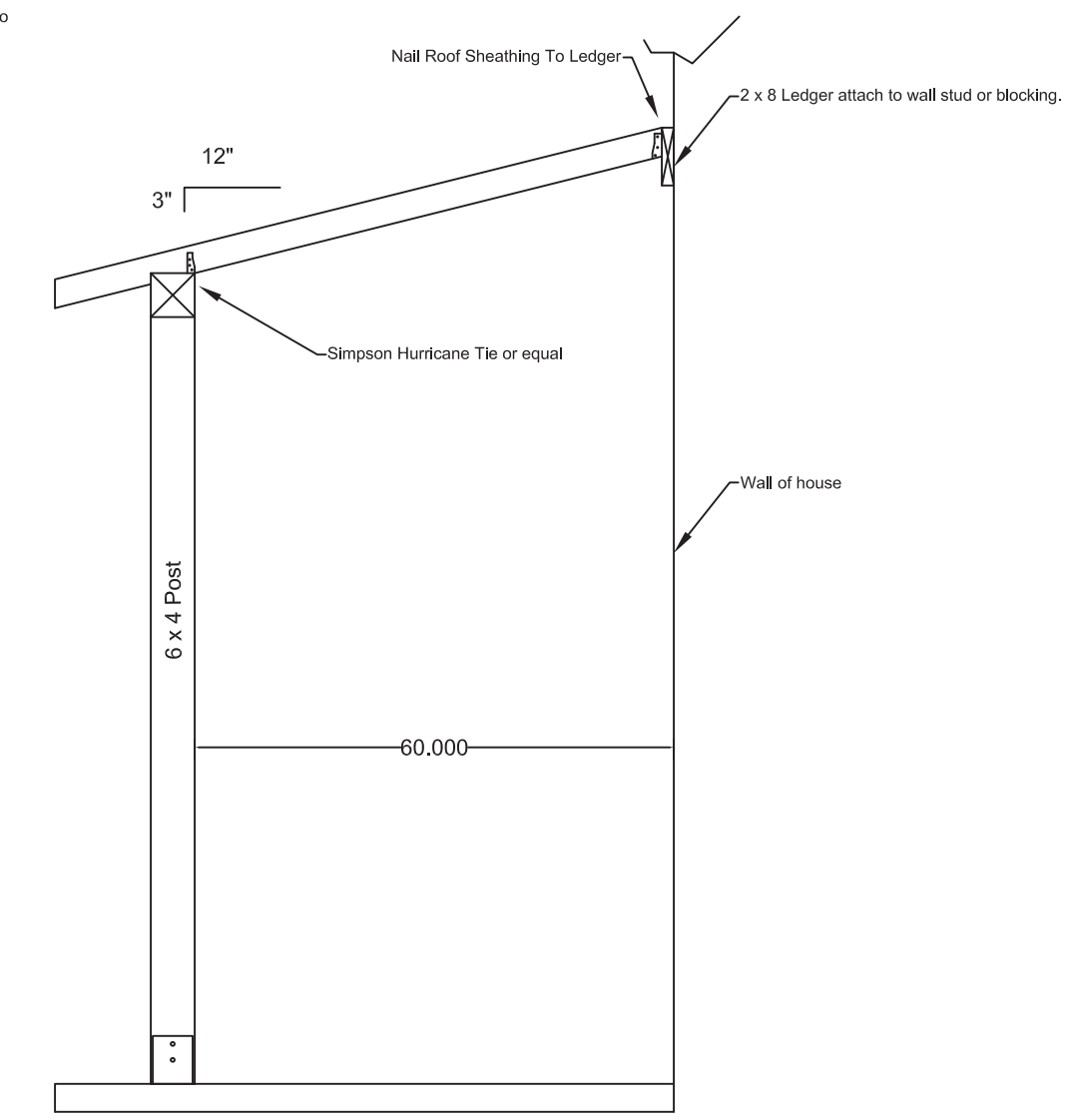
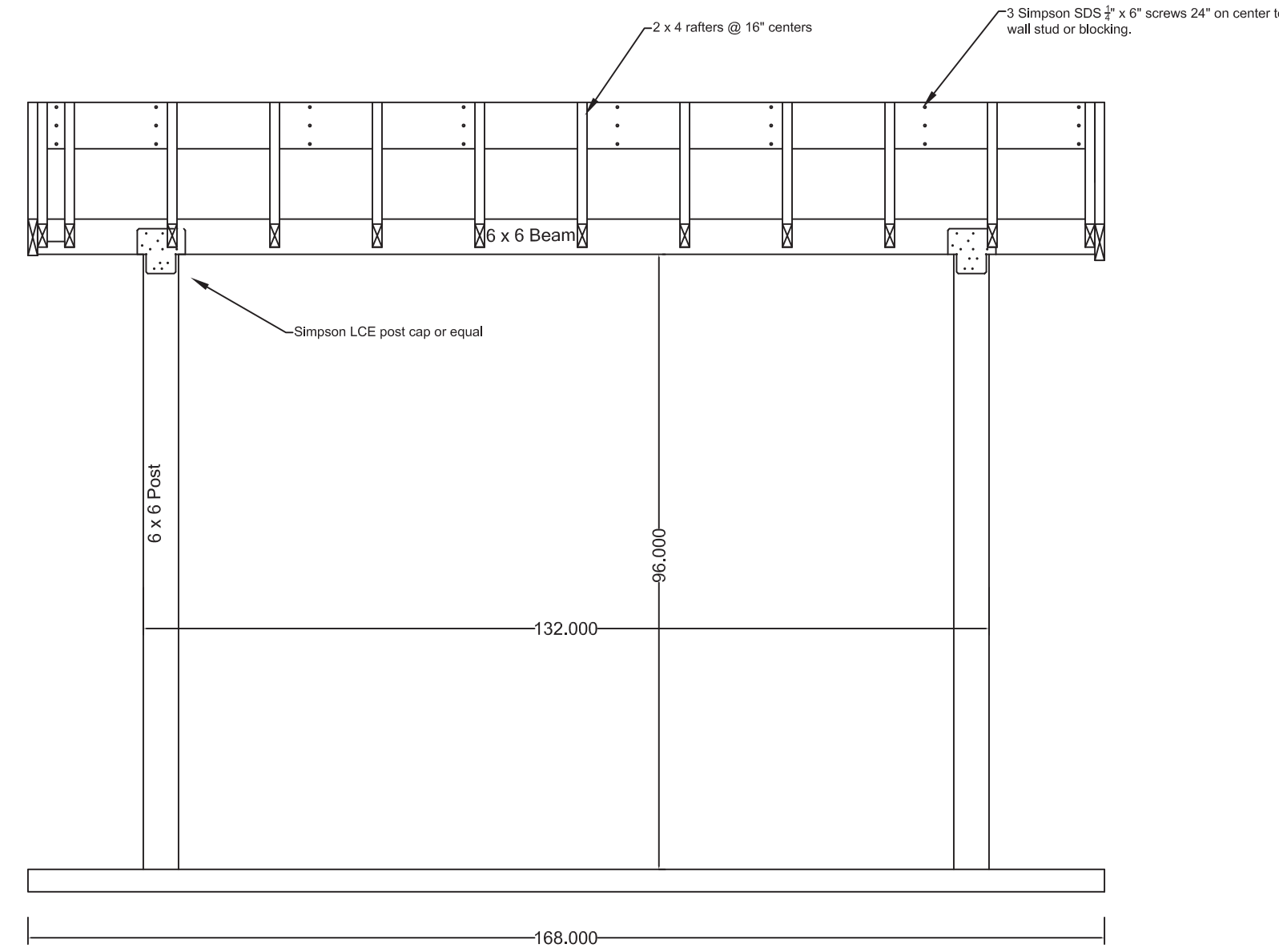


3/8" Scale



3/8" Scale

# Shed Roof Option #4

## 576SF ACCESSORY DWELLING UNIT

Sheet Number

# 08D

By using these standard plans, the user agrees to release the City of Eugene from any and all claims, liabilities, suits, and demands on account of any injury, damage, or loss to persons or property, including injury or death, or economic losses, arising out of the use of these construction documents. The use of these plans does not eliminate or reduce the user's responsibility to verify any and all information.