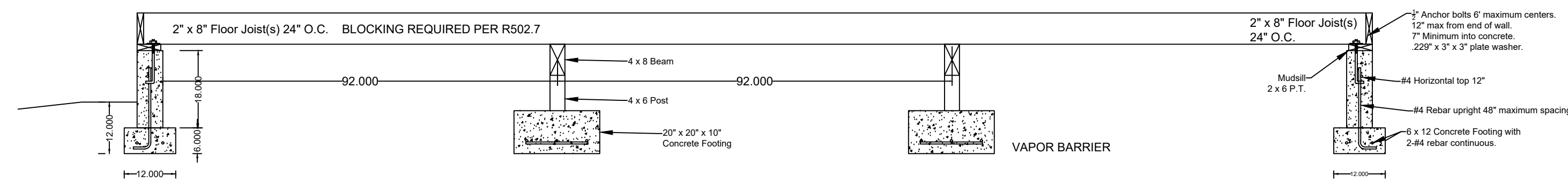


**FOUNDATION PLAN NOTES**

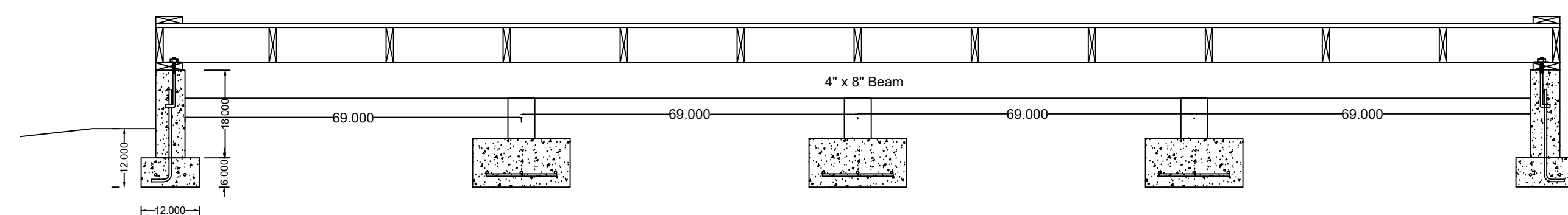
- ALL ANCHORS BOLTS SHALL BE 1/2" DIAMETER AND HAVE A MINIMUM EMBEDMENT OF 7 INCHES INTO CONCRETE (UNO) AND NOT SPACED MORE THAN 6 FEET APART [R403.1.6]
- 3"x3"x0.229" PLATE WASHERS SHALL BE USED ON EACH SILL PLATE ANCHOR BOLT [R602.11.1]
- HOLE IN PLATE WASHER MAY BE DIAGONALLY SLOTTED WITH MAXIMUM LARGER WIDTH THAN BOLT DIAMETER AND MAXIMUM 1-3/4" SLOT LENGTH [R602.11.1]
- PROVIDE A MINIMUM OF TWO ANCHOR BOLTS PER SILL PLATE WITH ONE BOLT LOCATED MAXIMUM 12" AND MINIMUM 7 BOLT DIAMETERS FROM EACH END OF EACH SECTION. [R403.1.6]
- BOLTS MUST BE LOCATED IN THE MIDDLE THIRD OF THE SILL PLATE WIDTH [R403.1.6]
- FASTENERS FOR PRESSURE-PRESERVATIVE TREATED AND FIRE RETARDANT TREATED WOOD SHALL BE HOT-DIPPED ZINC COATED GALVANIZED, STAINLESS STEEL OR COPPER [R317.3]
- A 6-MIL POLYETHYLENE OR APPROVED VAPOR RETARDER JOINTS LAPPED 12" MIN REQUIRED UNDER THE FLOOR SLAB. [R506.2.3]
- INSULATION EXPOSED TO THE EXTERIOR SHALL BE PROTECTED FROM PHYSICAL AND SOLAR DAMAGE. [N1104.2.3]
- PROVIDE (1) 8" X 16" SCREENED FOUNDATION VENT WITHIN 3 FEET OF EACH CORNER FOR UNDER FLOOR VENTILATION. [R408.1]
- PROVIDE POSITIVE CONNECTION BETWEEN POSTS AND BEAMS TO PREVENT LATERAL DISPLACEMENT IN ACCORDANCE WITH FIGURE R502.9
- CRAWL SPACE ACCESS REQUIRED PER R408.4

**DETAIL 1**  
(NTS)

**SUB-FLOOR INSTALLATION**



**Section View "A"**



**Section View "B"**

Scale: 3/8" = 1FT

Scale: 1/2" = 1FT

576SF ACCESSORY DWELLING UNIT

Foundation- Post and Beam

**03 B**

By using these standard plans, the user agrees to release the City of Eugene from any and all claims, liabilities, suits, and demands on account of any injury, damage, or loss to persons or property, including injury or death, or economic losses, arising out of the use of these construction documents. The use of these plans does not eliminate or reduce the user's responsibility to verify any and all information.