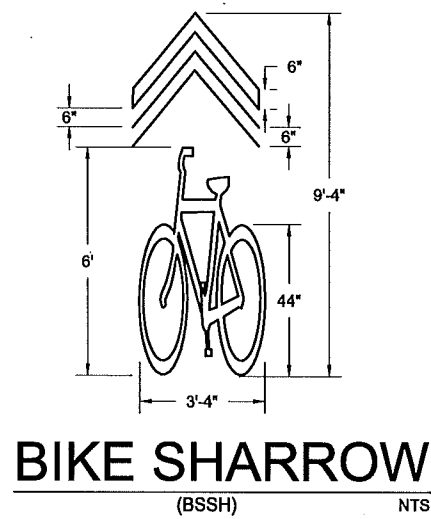


SIGN DATA TABLE							
AMOUNT	I.D.	SIGN/DEVICE	SIZE	COLOR	NOTES	TYPE	TOTAL SF
1	R3-17	BIKE LANE	24" X 18"	WHITE, BLACK	INSTALL PER TM687(A)	W1	3
1	R3-17b	ENDS (PLAQUE)	24" X 9"	WHITE, BLACK	MOUNT WITH R3-17	W1	1.5
2	D11-1	BIKE ROUTE	24" X 18"	WHITE, GREEN	INSTALL PER TM687(A)	G2	6
1	M6-1	BIKE ROUTE ARROW RIGHT	12" X 9"	WHITE, GREEN	MOUNT WITH D-11	G2	0.75
1	M6-6	BIKE ROUTE ARROW STRAIGHT/RIGHT	12" X 9"	WHITE, GREEN	MOUNT WITH D-11	G2	0.75

**STRIPING NOTES**

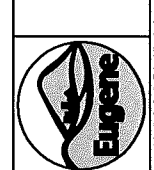
- BS** CONST BIKE SYMBOL WITH STRAIGHT ARROW
- BSSH** CONST BIKE SHARROW - SEE DETAIL THIS SHEET
- L1** CONST 4" DOUBLE YELLOW LINE WITH BI DIR. RPM'S
- S** CONST 12" STOP BAR
- TS-4** CONST 4" WHITE LINE, AT 36° ANGLE, 20' O.C., SEE DETAIL - SHEET ST-2
- W** CONST 4" WHITE LINE
- W-2** CONST 8" WHITE LINE
- WB R-40** CONST 4" WHITE BROKEN LINE WITH WHITE MONO DIR. RPM'S
- WD-2** CONST 8" WHITE DOTTED LINE



DATE	6/20/2013	2	7/8/2013	APPENDUM #2 - REPLACE SHEET	SWS
SCALE	NTS				
DESIGNED BY	BSD				
DRAWN BY	SJS				
CHECKED BY	PWK				
PROJECT NO.	4828	REV.		DATE	
					DESCRIPTION
					BY

PAVEMENT BOND MEASURE  
WILLAMETTE ST  
19TH - 23RD AVE  
STRIPING - BEGIN TO STA 25+00

CITY OF  
EUGENE, OREGON  
DEPARTMENT OF PUBLIC WORKS  
ENGINEERING DIVISION

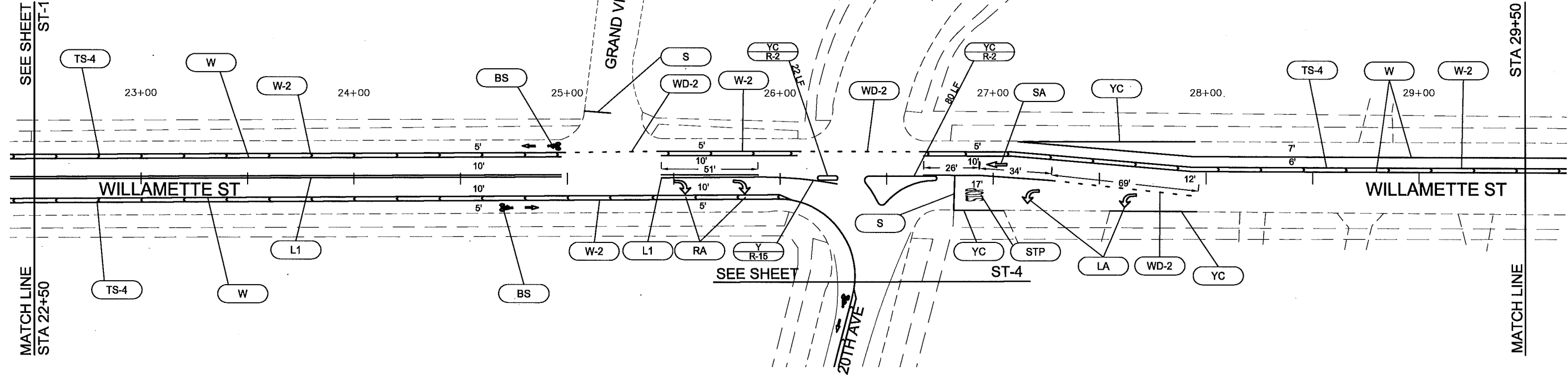


SWS	ADDENDUM #2 - REPLACE SHEET	DATE	SCALE
		6/20/2013	NTS
		DESIGNED BY	BSD
		DRAWN BY	SJS
		CHECKED BY	PWK
		PROJECT NO.	4828
		REV.	
		DATE	
		DESCRIPTION	
		BY	

PAVEMENT BOND MEASURE  
WILLAMETTE ST  
19TH - 23RD AVE  
STRIPING - STA 25+00 TO STA 34+25

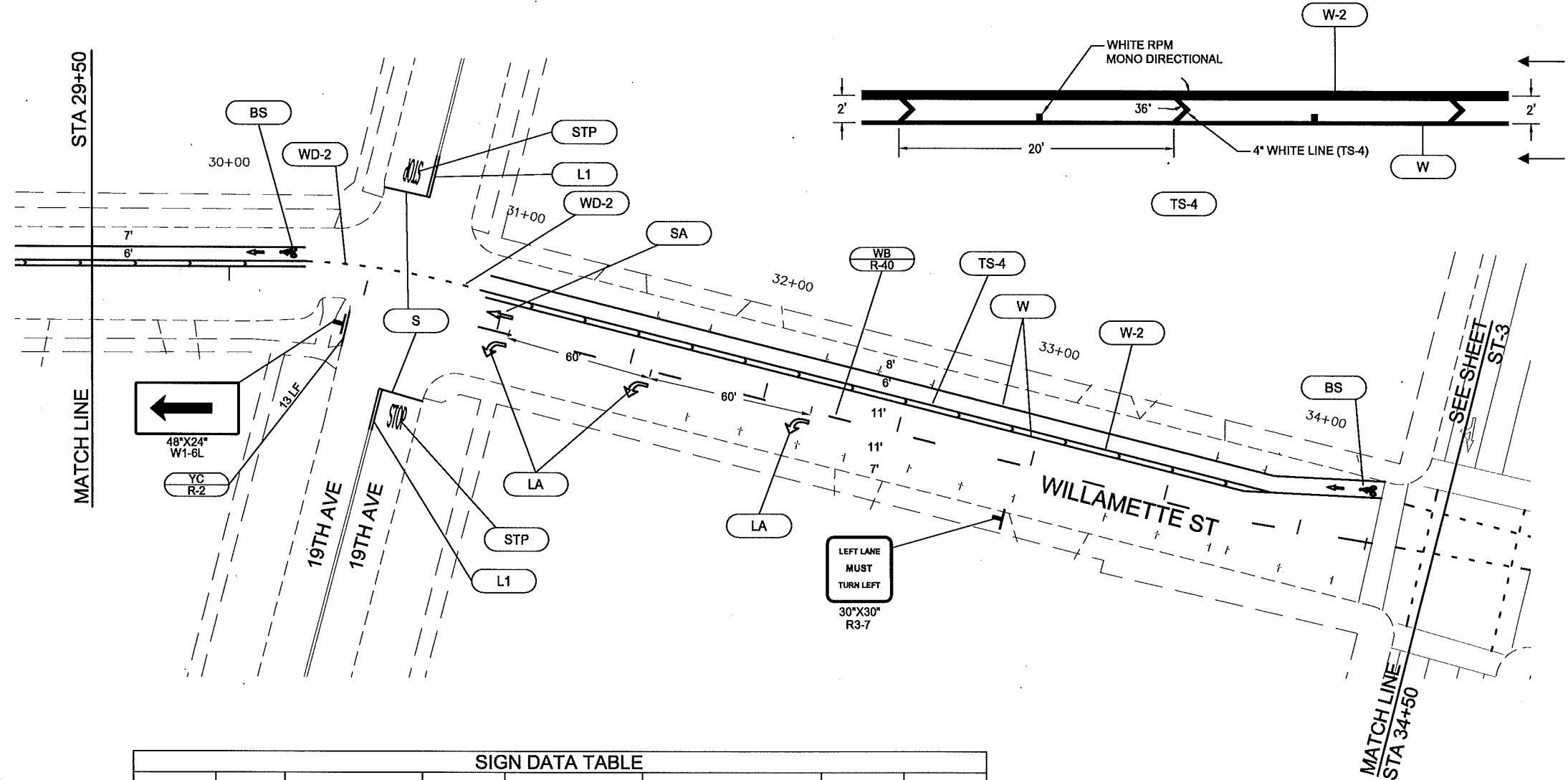
CITY OF  
EUGENE, OREGON  
DEPARTMENT OF PUBLIC WORKS  
ENGINEERING DIVISION

NAD83/NGVD88  
ST-2

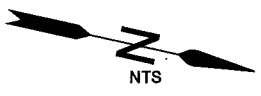


**STRIPING NOTES**

- BS CONST BIKE SYMBOL WITH STRAIGHT ARROW
- LA CONST LEFT TURN ARROW
- L1 CONST 4" DOUBLE YELLOW LINE WITH BI DIR. RPM'S
- S CONST 12" STOP BAR
- SA CONST STRAIGHT ARROW
- STP CONST "STOP" LEGEND
- TS-4 CONST 4" WHITE LINE, AT 36° ANGLE, 20' O.C., SEE DETAIL
- W CONST 4" WHITE LINE
- W-2 CONST 8" WHITE LINE
- WB R-40 CONST 4" WHITE BROKEN LINE WITH WHITE MONO DIR. RPM'S
- WD-2 CONST 8" WHITE DOTTED LINE
- Y R-15 CONST 4" YELLOW LINE WITH YELLOW MONO DIR. RPM'S AT 15' SPACING
- YC PAINT CURB YELLOW
- YC R-2 PAINT CURB YELLOW WITH MONO DIR. RPM'S AT 2' SPACING



EXPIRES 12/31/13



SIGN DATA TABLE							
AMOUNT	I.D.	SIGN/DEVICE	SIZE	COLOR	NOTES	TYPE	TOTAL SF
1	R3-7	LEFT LANE MUST TURN LEFT	30"X30"	WHITE, BLACK	INSTALL PER TM687(A)	W1	9
1	W1-6L	LARGE ARROW (LEFT)	48"X24"	YELLOW, BLACK	INSTALL PER TM687(A)	Y1	8

NAD83/INGVD88

DATE	6/20/2013	2	7/8/2013	ADDENDUM #2 - REPLACE SHEET	SMS
SCALE	NTS				
DESIGNED BY	BSD				
DRAWN BY	SJS				
CHECKED BY	PWK				
PROJECT NO.	4828	REV.	DATE	DESCRIPTION	BY

PAVEMENT BOND MEASURE  
WILLAMETTE ST  
19TH - 23RD AVE  
STRIPING - 20TH AVE AND OAK ST

CITY OF  
EUGENE, OREGON  
DEPARTMENT OF PUBLIC WORKS  
ENGINEERING DIVISION

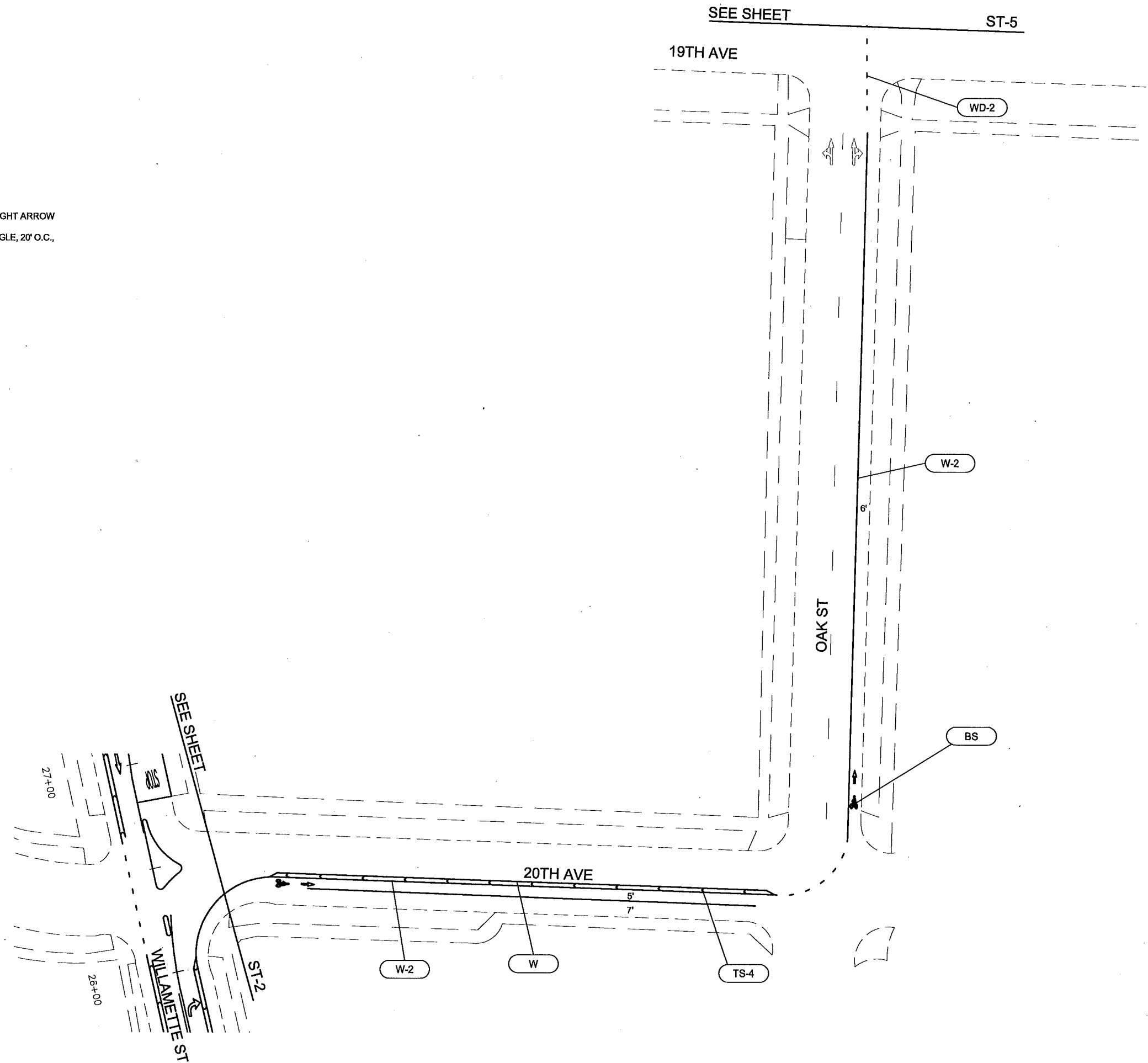
ST-4

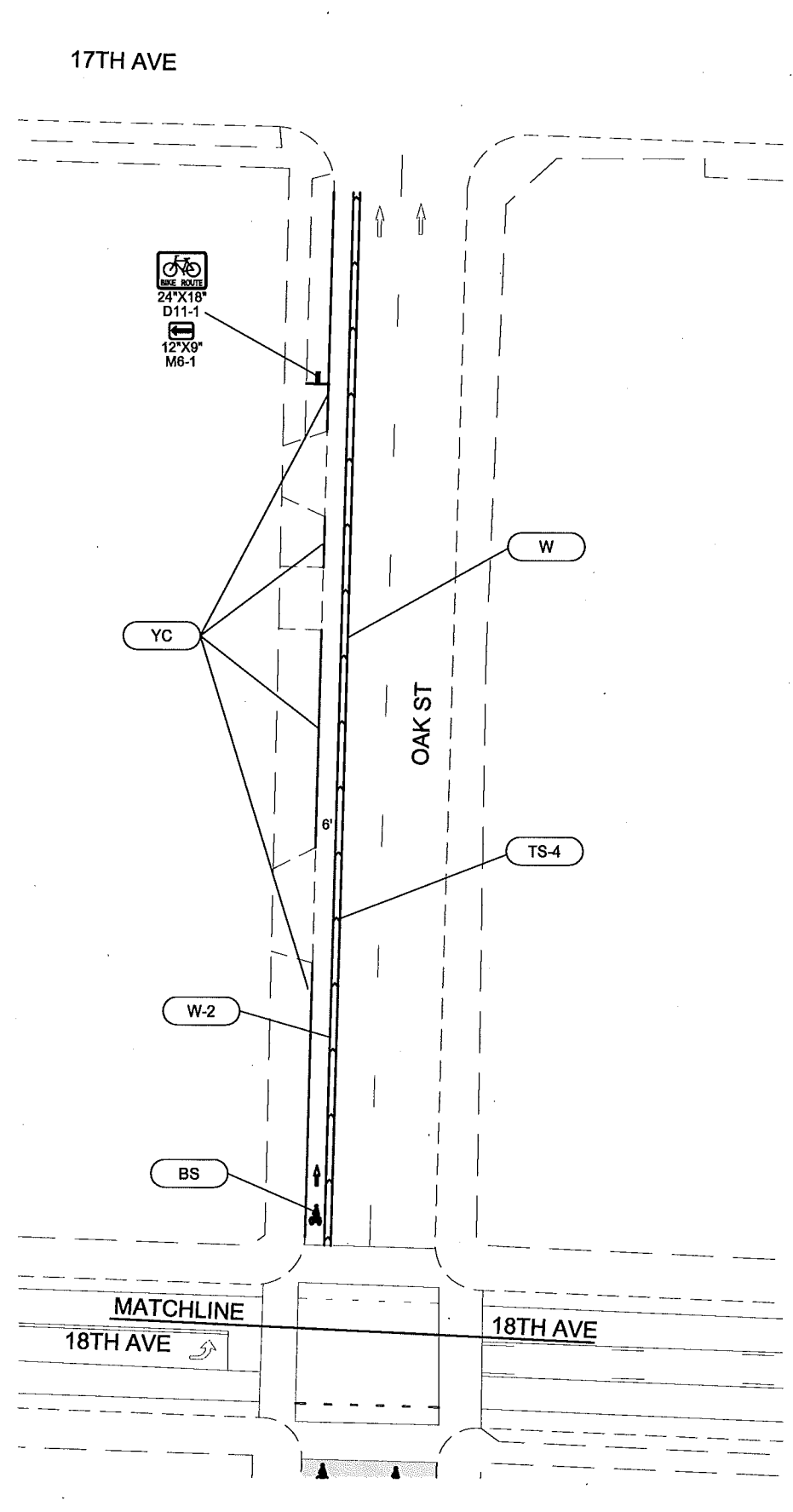
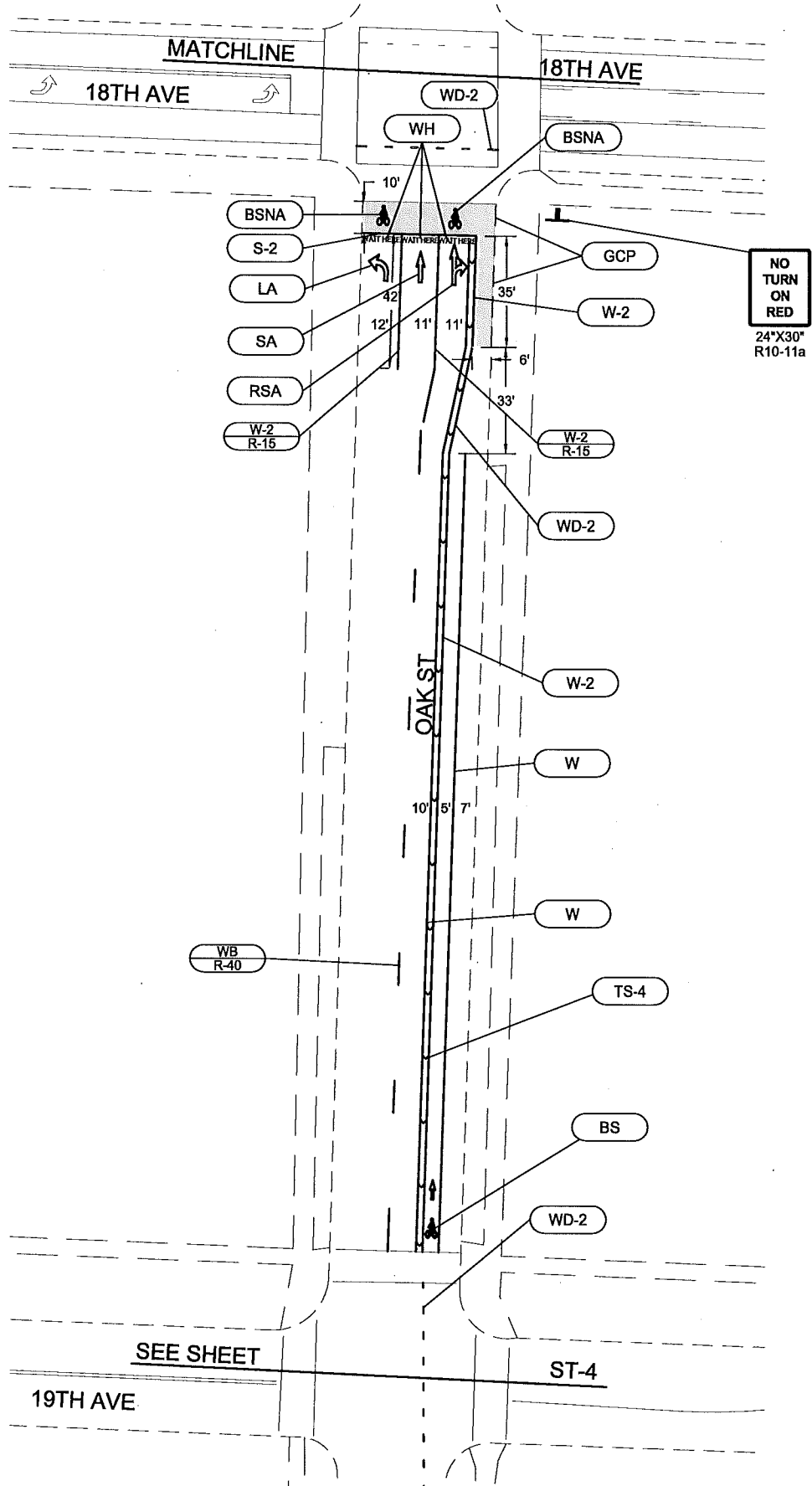


EXPIRES 12/31/13

### STRIPING NOTES

- BS** CONST BIKE SYMBOL WITH STRAIGHT ARROW
- TS-4** CONST 4" WHITE LINE, AT 36° ANGLE, 20' O.C., SEE DETAIL - SHEET ST-2
- W** CONST 4" WHITE LINE
- W-2** CONST 8" WHITE LINE
- WD-2** CONST 8" WHITE DOTTED LINE





**STRIPING NOTES**

- BS CONST BIKE SYMBOL WITH STRAIGHT ARROW
- BSNA CONST BIKE SYMBOL WITHOUT STRAIGHT ARROW
- GCP CONST GREEN COLORED PAVEMENT
- LA CONST LEFT TURN ARROW
- RSA CONST RIGHT TURN / STRAIGHT ARROW
- S-2 CONST 24" STOP BAR
- SA CONST STRAIGHT ARROW
- TS-4 CONST 4" WHITE LINE, AT 36° ANGLE, 20' O.C., SEE DETAIL - SHEET ST-2
- W CONST 4" WHITE LINE
- W-2 CONST 8" WHITE LINE
- W-2 R-15 CONST 8" WHITE LINE WITH WHITE MONO DIR. RPM'S AT 15' SPACING
- WB R-40 CONST 4" WHITE BROKEN LINE WITH WHITE MONO DIR. RPM'S
- WD-2 CONST 8" WHITE DOTTED LINE
- WH CONST "WAIT HERE" LEGEND
- YC PAINT CURB YELLOW



SIGN DATA TABLE							
AMOUNT	I.D.	SIGN/DEVICE	SIZE	COLOR	NOTES	TYPE	TOTAL SF
1	R10-11a	NO TURN ON RED	24" X 30"	WHITE, BLACK	INSTALL PER TM687(A)	W1	5
1	D11-1	BIKE ROUTE	24" X 18"	WHITE, GREEN	INSTALL PER TM687(A)	G2	3
1	M6-1	BIKE ROUTE ARROW LEFT	12" X 9"	WHITE, GREEN	MOUNT WITH D-11	G2	0.75



DATE	6/20/2013	2	7/8/2013	ADDENDUM #2 - REPLACE SHEET	SWS
SCALE	NTS				
DESIGNED BY	SDS				
DRAWN BY	SJS				
CHECKED BY	PWK				
PROJECT NO.	4828	REV.		DATE	DESCRIPTION
PAVEMENT BOND MEASURE WILLAMETTE ST 19TH - 23RD AVE STRIPING - OAK ST - 17TH TO 19TH					
CITY OF EUGENE, OREGON DEPARTMENT OF PUBLIC WORKS ENGINEERING DIVISION					
ST-5					